

Datasheet



Edgelight LED Exit



CAT. NO. 659555LI, 659556LI, 659557LI, 659558LI, 659559LI, 659560LI, 659561LI, 659562LI, 659563LI, 659564LI, 659565LI, 659566LI, 659567LI, 659568LI, 659569LI



659556LI

Operation Mode	Maintained
Nominal Input Voltage	230 - 240 V a.c. 50 Hz
Light Source	LED
Battery	Li-ion 1.5 Ah, 12.8 V
Operating Temperature	10° C to 40° C
Power Consumption	3 W
Inrush Current	5 A (peak)
Body Construction	White powder-coated Zinc Steel
Diffuser	Inner: High quality Acrylic Outer: Screen printed medium density Opal Acrylic
IP Rating	IP20
Classification	C ₀ :D2.5 C ₉₀ :C40
Compliance	AS/NZS 60598, AS/NZS 2293
Product Marking	 

Edgelight LED Exit



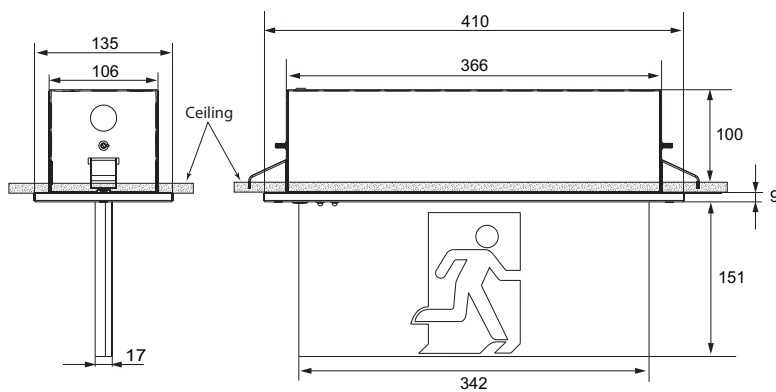
CAT. NO. 659555LI, 659556LI, 659557LI, 659558LI, 659559LI, 659560LI, 659561LI, 659562LI, 659563LI, 659564LI, 659565LI, 659566LI, 659567LI, 659568LI, 659569LI

FEATURES

- Slim edge light design.
- Robust and easy to install.
- iSmart™ temperature sensing technology for the LIION battery.
- Electronics designed to lengthen the life of the battery, minimising maintenance costs.
- Environment friendly battery.
- Available in three installation options: Recessed, Suspended and Surface Mount.
- 5 Year Warranty.
- Designed and Manufactured in Australia.

DIMENSIONS

Recessed:



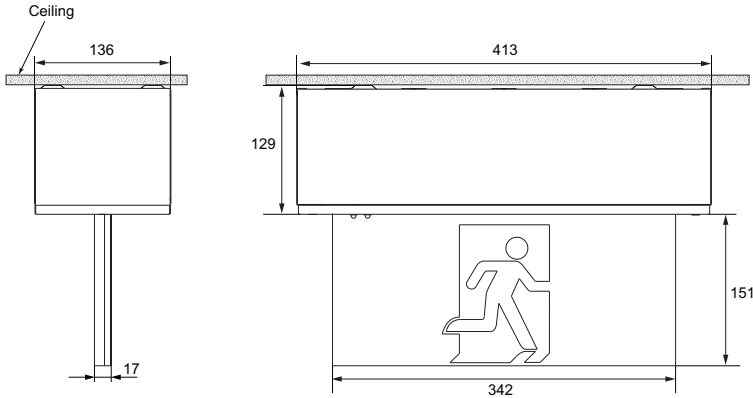
Note: All dimensions are in mm.

Edgelight LED Exit

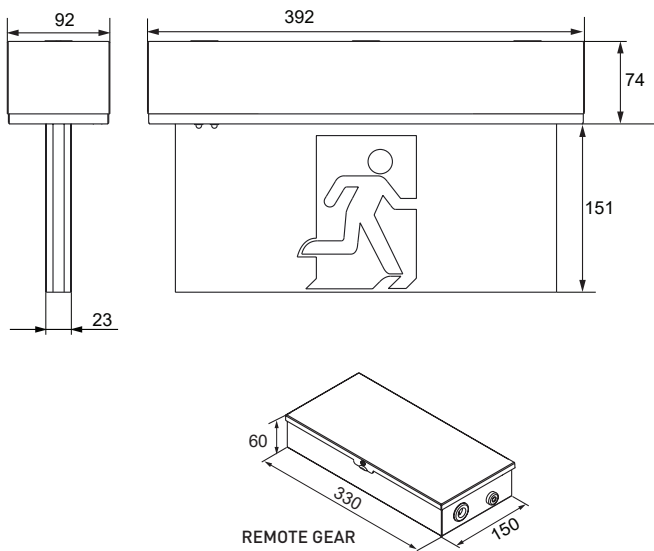


CAT. NO. 659555LI, 659556LI, 659557LI, 659558LI, 659559LI, 659560LI, 659561LI, 659562LI, 659563LI, 659564LI, 659565LI, 659566LI, 659567LI, 659568LI, 659569LI

Surface Mounted:



Suspended:



*Edgelight Rod Suspension will require a $\varnothing 25$ mm diameter rod kit (not included and is required) to allow the 10 m supplied cable to feed through and terminate at the Exit sign head.

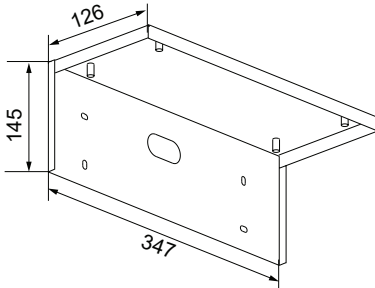
Note: All dimensions are in mm.

Edgelight LED Exit

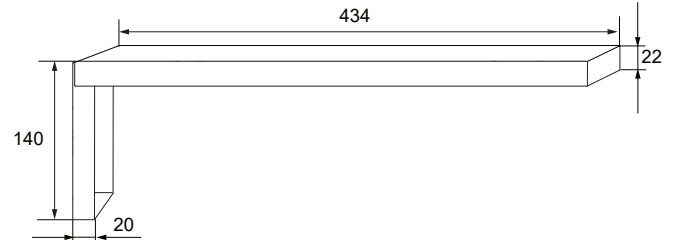


CAT. NO. 659555LI, 659556LI, 659557LI, 659558LI, 659559LI, 659560LI, 659561LI, 659562LI, 659563LI, 659564LI, 659565LI, 659566LI, 659567LI, 659568LI, 659569LI

Wall Bracket Accessory



L - Bracket Accessory



Note: All dimensions are in mm.

Cat. No.	Description	Cat. No.	Description	Cat. No.	Description
Recessed		Surface mounted		Suspended	
659555LI	EDGELIGHT SS RMS LI	659560LI	EDGELIGHT SS RMS LI	659565LI	EDGELIGHT SS RMS LI
659556LI	EDGELIGHT SS RML LI	659561LI	EDGELIGHT SS RML LI	659566LI	EDGELIGHT SS RML LI
659557LI	EDGELIGHT SS RMR LI	659562LI	EDGELIGHT SS RMR LI	659567LI	EDGELIGHT SS RMR LI
659558LI	EDGELIGHT DS RMS LI	659563LI	EDGELIGHT DS RMS LI	659568LI	EDGELIGHT DS RMS LI
659559LI	EDGELIGHT DS RMLR LI	659564LI	EDGELIGHT DS RMLR LI	659569LI	EDGELIGHT DS RMLR LI
Accessories					
659457	EDGELIGHT L- BRACKET - WHITE				
659458	EDGELIGHT WALL BRACKET - WHITE				

RMS = Running Man Straight, RML = Running Man Left, RMR = Running Man Right, RMLR = Running Man Left/Right, DS = Double-Sided, SS = Single-Sided, LI = Lithium battery

Legrand - Australia
1300 369 777
www.legrand.com.au
ABN 31 000 102 661

Legrand - New Zealand
0800 476 009
www.legrand.co.nz

Refer to your group buying office, Legrand Sales Representative or Legrand Sales office for pricing.

Please note: specifications are subject to change without prior notice.